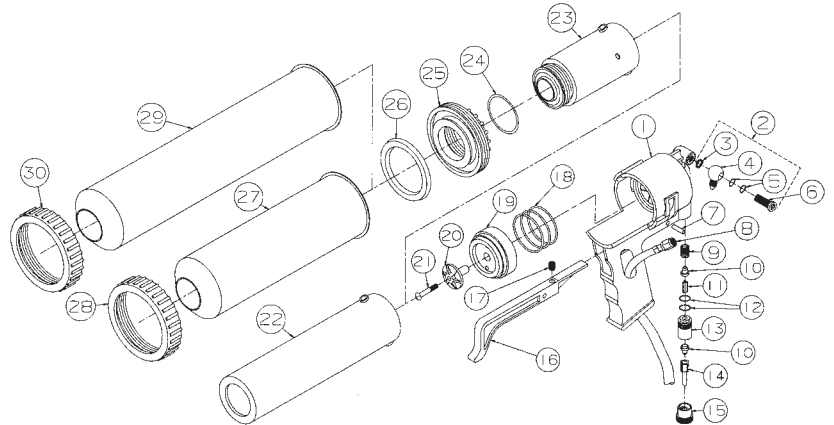


technical data

Semco® model 550 sealant gun assemblies

Semco® model 550 sealant gun assemblies

Item	Part no.	Description
1	231874	Handle assembly, metal
2	228549	Swivel assembly
3		Washer
4		Swivel
5		O-Ring
6		Swivel bolt
7	*N/A	Spring pin
8		Hose assemblies (see table)
9-15	234906	Stem & Seal Repair Kit
9		Poppet spring
10		Poppet
11		Plunger
12		O-Ring
13		Seat
14		Stem
15		Retainer
16	*N/A	Trigger
17	*N/A	Spring
18-21	234905	Seal Repair Kit
18		Seal spring
19		Seal
20		Seal retainer
21		Screw
22	231903	Metal retainer, 1/10 gallon
23	231898	Adapter, metal
24	229682	O-Ring
25	229775	Adapter, plastic
26	229890	Seal
27	229740	Metal retainer, 20 oz.
28	230209	Bezel, 20 oz.
29	233620	Metal retainer, 32 oz.
30	234053	Bezel, 32 oz.
	229752	Retainer assembly 20 oz. (not shown)
	233695	Retainer assembly 32 oz. (not shown)
	231551	Model 550-1/10 gallon gun assembly
	231218	Model 550-20 oz. gun assembly
	233688	Model 550-32 oz. gun assembly



For customer assembly and repair of hoses, the following components are available:

Components available

Description	Part no.
Hansen connector assembly	229186
Aro connector assembly	229187
Schrader connector assembly	229188
B-Nut assembly (gun end)	229189
Bulk gun hose (sold by the ft.)	220895

Hose assemblies

Hansen	Schrader	Aro	Length
280000	280006	280012	5 ft.
280001	280007	280013	10 ft.
280002	280008	280014	15 ft.
280003	280009	280015	20 ft.
280004	280010	280016	25 ft.
280005	280011	280017	30 ft.

*N/A - Not Available

Hose assemblies must be ordered separately (for use with sealant gun). Complete with Hansen, Schrader or Aro connector to fit air source, B-Nut connector on end to fit onto gun.