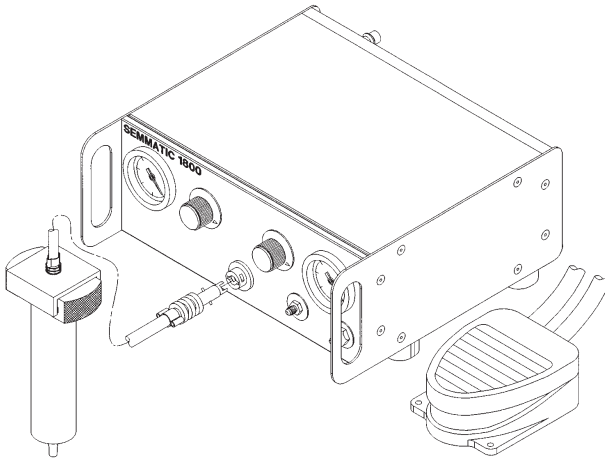


material dispensing control unit



The Semmatic® 1800 is designed for material dispensing applications where effective positive cut-off of material at the application nozzle is important. The Semmatic® 1800 can easily be set up in production to handle almost any dispensing application. The Semmatic® 1800 is shipped ready to use with PRC-DeSoto International's complete line of Semco® disposable plastic cartridges, syringes and nozzles.

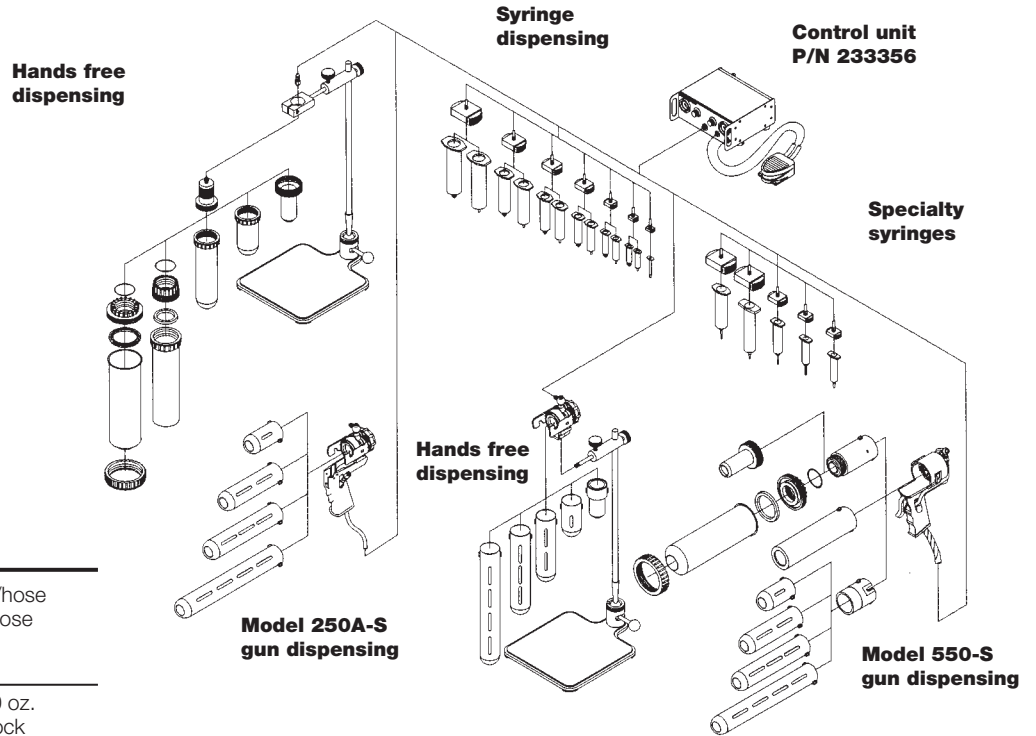
The unit has a venturi-type vacuum pump which prevents material from dripping after each shot. An adjustable pressure regulator and analog gauge allow the unit to dispense low, medium, or high viscosity materials. Dispensing is actuated by a foot valve or gun trigger. The long hose assembly allows the operator to move freely.

An extensive list of accessories is available to accommodate virtually all dispensing applications. PRC-DeSoto International's complete line of Semco® industrial dispensing cartridges, syringes, nozzles, needles, and other disposable plastic parts are available in stock.

Features

- Analog pressure and vacuum gauge
- Low air consumption - .18 CFM maximum
- Vacuum adjustable up to 22 in. hg.
- Connections for both gun dispensing and foot valve dispensing

Sematic® 1800 material dispensing unit



Gun dispensing

- 231898A Model 250A-S gun w/hose
- 231675 Model 550-S gun w/hose

Adapters

- 231898 Adapter for 1 oz. & 20 oz.
- 231980 Adapter for bayonet lock

Bayonet lock retainers

- 231611 Retainer 1 oz.
- 231212 Retainer 2.5 oz.
- 231213 Retainer 6 oz.
- 231214 Retainer 8 oz.
- 231215 Retainer 12 oz.

Hands free dispensing

- 231647 Stand
- 233697 Threaded retainer adapter
- 233698A Bayonet retainer adapter

Bayonet lock retainers

See list above for retainers

Threaded lock retainers

- 230526 Retainer 1 oz.
- 229779 Retainer 2.5 oz.
- 229780 Retainer 6 oz.
- 233671 Retainer 1/10 gal. assy.
- 233672 Retainer 20 oz. assy.
- 233873 Retainer 32 oz. assy.

Syringe dispensing

Standard syringes

- 310100 Adapter head 1 cc
- 310300 Adapter head 3 cc
- 310600 Adapter head 6 cc
- 311000 Adapter head 10 cc
- 312000 Adapter head 20 cc
- 313500 Adapter head 35 cc
- 316000 Adapter head 60 cc
- 316016 Luer lock syringe 60 cc
- 316007 Luer slip syringe 60 cc
- 313516 Luer lock syringe 35 cc
- 313507 Luer slip syringe 35 cc
- 312016 Luer lock syringe 20 cc
- 312007 Luer slip syringe 20 cc
- 311016 Luer lock syringe 10 cc
- 311007 Luer slip syringe 10 cc
- 310616 Luer lock syringe 6 cc
- 310607 Luer slip syringe 6 cc
- 310316 Luer lock syringe 3 cc
- 310307 Luer slip syringe 3 cc
- 310107 Luer slip syringe 1 cc

- 310105 Stopper 1 cc
- 310305 Stopper 3 cc
- 310605 Stopper 6 cc
- 311005 Stopper 10 cc
- 312005 Stopper 20 cc
- 313505 Stopper 35 cc
- 316005 Stopper 60 cc

Specialty syringes

- 333008 Adapter 30 cc - taper
- 333017 Adapter 30 cc - straight
- 331217 Adapter 12 cc - straight
- 330617 Adapter 6 cc - straight
- 330608 Adapter 6 cc - taper
- 333007 Syringe 30 cc - taper
- 333016 Syringe 30 cc - straight
- 331216 Syringe 12 cc - straight
- 330616 Syringe 6 cc - straight
- 330607 Syringe 6 cc - taper
- 313505 Stopper 30 cc
- 311005 Stopper 12 cc
- 310605 Stopper 6 cc

Semco is a trademark of PRC-DeSoto International, Inc., registered with the U.S. Patent Office.

All recommendations, statements, and technical data contained herein are based on tests we believe to be reliable and correct, but accuracy and completeness of said tests are not guaranteed and are not to be construed as a warranty, either expressed or implied. User shall rely on his own information and tests to determine suitability of the product for the intended use and assumes all risks and liability resulting from his use of the product. Seller's and manufacturer's sole responsibility shall be to replace that portion of the product of this manufacturer which proves to be defective. Neither seller nor manufacturer shall be liable to the buyer or any third person for any injury, loss, or damage directly or indirectly resulting from use of, or inability to use, the product. Recommendations or statements other than those contained in a written agreement signed by an officer of the manufacturer shall not be binding upon the manufacturer or seller.