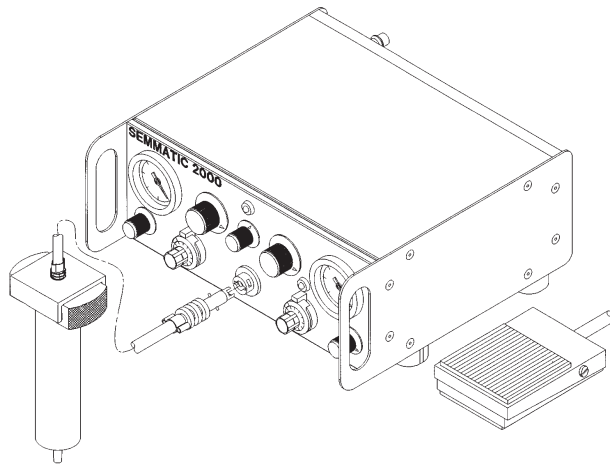


material dispensing control unit



The Semmatic® 2000 control unit is designed to precisely dispense epoxies, polyurethanes, silicones, polysulfides, acrylics, solder pastes, and other materials used in assembly operations.

The Semmatic® 2000 can easily be set up in production to handle almost any dispensing application. A 24 VDC timer circuit controls the timed dispense and non-dispense functions. The Semmatic® 2000 has three dispense modes: manual, semi-automatic, and automatic. For precise control, the Semmatic® 2000 features three time ranges regulating shot application from .15 seconds to 80 seconds. The Semmatic® 2000 is shipped ready-to-use in conjunction with PRC-DeSoto International's complete line of Semco® disposable plastic cartridges and syringes.

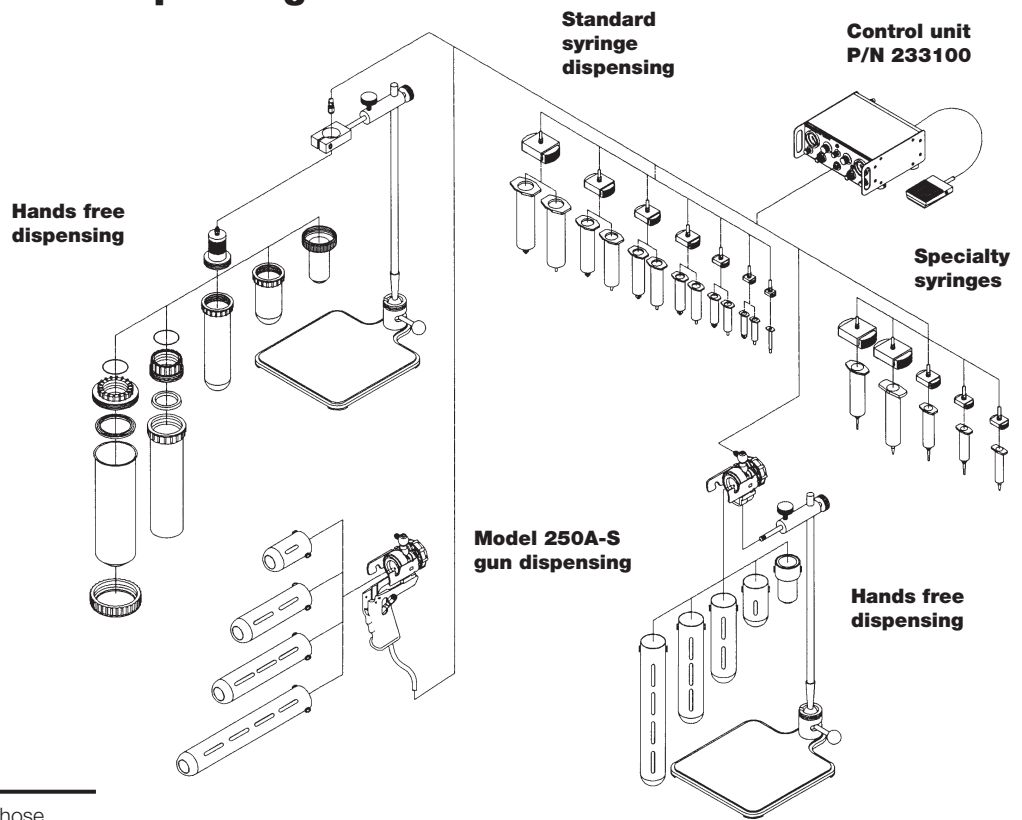
The unit has a venturi-type vacuum pump which prevents material from dripping after each shot. An adjustable pressure regulator and analog gauge allow the unit to dispense low, medium, or high viscosity material. Dispensing is actuated by a foot switch.

An extensive list of accessories is available to accommodate virtually all dispensing applications. PRC-DeSoto International's complete line of Semco® industrial dispensing cartridges, syringes, nozzles, needles and other disposable plastic parts are available in stock.

Features

- Analog pressure and vacuum gauge
- 24 VDC internal timer circuit
- Manual, semi-automatic and automatic dispensing modes
- Vacuum adjustable up to 22 in. hg.
- Low air consumption - .18 CFM maximum
- Three time ranges from .15 to 80.0 seconds dispense time

Sematic® 2000 material dispensing unit



Gun dispensing

233673A Model 250A-S gun w/hose

Bayonet lock retainers

231611 Retainer 1 oz.
 231212 Retainer 2.5 oz.
 231213 Retainer 6 oz.
 231214 Retainer 8 oz.
 231215 Retainer 12 oz.

Hands free dispensing

231647 Stand
 233697 Threaded retainer adapter
 233698A Bayonet retainer adapter

Bayonet lock retainers

See list above for retainers

Threaded lock retainers

230526 Retainer 1 oz.
 229779 Retainer 2.5 oz.
 229780 Retainer 6 oz.
 233671 Retainer 1/10 gal. assy.
 233672 Retainer 20 oz. assy.
 233873 Retainer 32 oz. assy.

Syringe dispensing

Standard syringes

310100 Adapter head 1 cc
 310300 Adapter head 3 cc
 310600 Adapter head 6 cc
 311000 Adapter head 10 cc
 312000 Adapter head 20 cc
 313500 Adapter head 35 cc
 316000 Adapter head 60 cc
 316016 Luer lock syringe 60 cc
 316007 Luer slip syringe 60 cc
 313516 Luer lock syringe 35 cc
 313507 Luer slip syringe 35 cc
 312016 Luer lock syringe 20 cc
 312007 Luer slip syringe 20 cc
 311016 Luer lock syringe 10 cc
 311007 Luer slip syringe 10 cc
 310616 Luer lock syringe 6 cc
 310607 Luer slip syringe 6 cc
 310316 Luer lock syringe 3 cc
 310307 Luer slip syringe 3 cc
 310107 Luer slip syringe 1 cc

310105 Stopper 1 cc
 310305 Stopper 3 cc
 310605 Stopper 6 cc
 311005 Stopper 10 cc
 312005 Stopper 20 cc
 313505 Stopper 35 cc
 316005 Stopper 60 cc

Specialty syringes

333008 Adapter 30 cc - taper
 333017 Adapter 30 cc - straight
 331217 Adapter 12 cc - straight
 330617 Adapter 6 cc - straight
 330608 Adapter 6 cc - taper
 333007 Syringe 30 cc - taper
 333016 Syringe 30 cc - straight
 331216 Syringe 12 cc - straight
 330616 Syringe 6 cc - straight
 330607 Syringe 6 cc - taper
 313505 Stopper 30 cc
 311005 Stopper 12 cc
 310605 Stopper 6 cc

Semco and Sematic are trademarks of PRC-DeSoto International, Inc., registered with the U.S. Patent Office.

All recommendations, statements, and technical data contained herein are based on tests we believe to be reliable and correct, but accuracy and completeness of said tests are not guaranteed and are not to be construed as a warranty, either expressed or implied. User shall rely on his own information and tests to determine suitability of the product for the intended use and assumes all risks and liability resulting from his use of the product. Seller's and manufacturer's sole responsibility shall be to replace that portion of the product of this manufacturer which proves to be defective. Neither seller nor manufacturer shall be liable to the buyer or any third person for any injury, loss, or damage directly or indirectly resulting from use of, or inability to use, the product. Recommendations or statements other than those contained in a written agreement signed by an officer of the manufacturer shall not be binding upon the manufacturer or seller.