

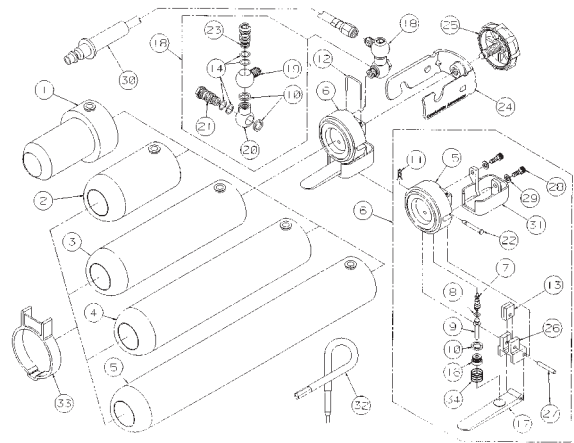
Semco® model 250-B sealant gun assemblies

Semco® model 250-B parts list

Item	Part no.	Description
1	231611	Retainer, 32 cc (1 oz)
2	220256	Retainer, 59 cc (2.5 oz)
3	220928	Retainer, 156 cc (6 oz)
4	220926	Retainer, 214 (8 oz)
5	220923	Retainer, 310 cc (12 oz)
6	240050 includes	Valve body assembly*
7	items 7, 8, 9, 10, 11,	Valve core, 6.2 (90 psi)*
8	13, 15, 16, 17, 22,	O-Ring
9	and 34	Plunger*
10		Washer, hard fiber
11		Hairpin clip*
12		C-Clip*
13		Muffler*
14		O-Ring
15		Valve body
16		Bushing
17		Lever **
18	240015 includes	Swivel assembly*
19	items 10, 14, 19, 20,	Swivel
20	21 and 23	Swivel nut
21		Swivel bolt, ext. hex head*
22		Clevis pin
23		Swivel bolt
24	240036	Bracket assembly
25	240012	TPR coated knob assembly
26		Bracket, lever **
27		Dowel pin **
28		Screw
29		Washer*
30	see table	Hose assembly
31		Cover **
32	240018	Service wrench
	240020 includes	Repair kit
	items 7 - 14 and 34	
33		Guard
34		Spring **

* These parts are not interchangeable with parts from the Model 250 Gun.

** These parts are not interchangeable with parts from the 250-B Gun



Complete sealant gun (less hose)

Model no.	Assembly no. No handle	Size
250B-1	250010B	32 cc (1 oz)
250B-2.5	250250B	59 cc (2.5 oz)
250B-6	250060B	156 cc (6 oz)
250B-8	250080B	214 cc (8 oz)
250B-12	250120B	310 cc (12 oz)

All hose assemblies must be ordered separately. Fitted hoses are available with Hansen, Aro, or Schrader connectors.

For customer assembly and repair of hoses, the following components are available:

Components available

Description	Part no.
Hansen connector assembly	229186
Aro connector assembly	229187
Schrader connector assembly	229188
B-Nut assembly (gun end)	229189
Bulk gun hose (sold by the foot)	220895

Hose Assemblies

Hansen	Schrader	Aro	Length
280000	280006	280012	1.5 m (5 ft)
280001	280007	280013	2.9 m (10 ft)
280002	280008	280014	4.4 m (15 ft)
280003	280009	280015	5.9 m (20 ft)
280004	280010	280016	7.3 m (25 ft)
280005	280011	280017	8.9 m (30 ft)

☞ Complies with Machinery Directive 93/68EEC and Safety Standard EN60292

Semco and Semkit are trademarks of PRC-DeSoto International, Inc., registered with the U.S. Patent Office.

Sem-Luer and Sem-Needles are trademarks of PRC-DeSoto International, Inc.

All recommendations, statements, and technical data contained herein are based on tests we believe to be reliable and correct, but accuracy and completeness of said tests are not guaranteed and are not to be construed as a warranty, either expressed or implied. User shall rely on his own information and tests to determine suitability of the product for the intended use and assumes all risks and liability resulting from his use of the product. Seller's and manufacturer's sole responsibility shall be to replace that portion of the product of this manufacturer which proves to be defective. Neither seller nor manufacturer shall be liable to the buyer or any third person for any injury, loss, or damage directly or indirectly resulting from use of, or inability to use, the product. Recommendations or statements other than those contained in a written agreement signed by an officer of the manufacturer shall not be binding upon the manufacturer or seller.