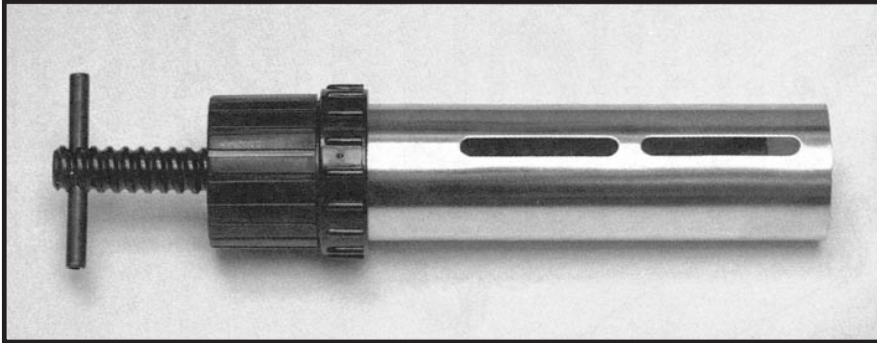


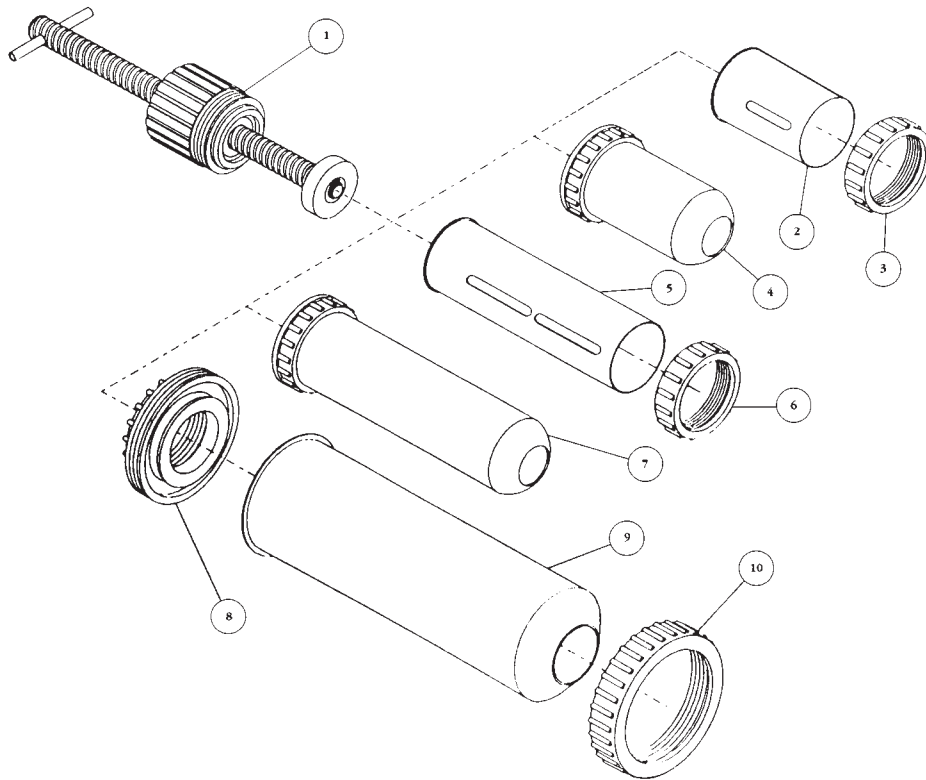
Screw operated hand gun (2.5 oz., 6 oz., and 20 oz.)



Screw operated hand gun (2.5 oz., 6 oz., and 20 oz.)

The Semco® model 756 gun is a screw operated hand gun designed specifically for field applications of sealant used to dam telephone cables. It is designed to accept 2.5 oz., 6 oz., and 20 oz. Semco® plastic cartridges. The ram screw provides a hand application method for obtaining desired pressures.

Semco® model 756 screw operated hand gun



Item	Description	Assemblies		
		2.5 oz.	6 oz.	20 oz.
1	Body assembly	226702	226702	229754
2	Retainer, 2.5 oz. - metal	221784	—	—
3	Bezel	221785	—	—
4	Retainer, 2.5 oz. - plastic	229779	—	—
5	Retainer, 6 oz. - metal	—	221781	—
6	Bezel	—	221785	—
7	Retainer, 6 oz. - plastic	—	221780	—
8	Adapter, 20 oz.	—	—	229775
9	Retainer, 20 oz.	—	—	229740
10	Bezel	—	—	230209
	Complete gun assembly	232221	221778	229750

Semco is a trademark of PRC-DeSoto International, Inc., registered with the U.S. Patent Office.

All recommendations, statements, and technical data contained herein are based on tests we believe to be reliable and correct, but accuracy and completeness of said tests are not guaranteed and are not to be construed as a warranty, either expressed or implied. User shall rely on his own information and tests to determine suitability of the product for the intended use and assumes all risks and liability resulting from his use of the product. Seller's and manufacturer's sole responsibility shall be to replace that portion of the product of this manufacturer which proves to be defective. Neither seller nor manufacturer shall be liable to the buyer or any third person for any injury, loss, or damage directly or indirectly resulting from use of, or inability to use, the product. Recommendations or statements other than those contained in a written agreement signed by an officer of the manufacturer shall not be binding upon the manufacturer or seller.