



Bergdahl Associates, Inc.
 2990 Sutro Street
 Reno, Nevada 89512-1616
 phone: +1 775 323-7542
 www.bergdahl.com

Disposable Nozzles and Dispensing Tip Adapters

Nozzles and dispensing tip adapters provide a wide range of application capabilities. Standard nozzles may be cut back to increase orifice size.

Dispensing Tip Adapters

These tip adapters have standard 1/4" NPT male thread on one end to fit all Techcon Systems cartridges or equivalent and standard male Luer lock thread on opposite side to fit all Luer lock dispensing tips.

Part Number	Description
TSD931-7	Luer Lock Adapter, 1/4 NPT White
TSD931-14	Luer Lock Adapter, 1/4 NPT Black
918-006-000	Needle Adapter, 1/4" NPT To Male Luer Lock, Brass

Bent Nozzles

Below is the list of standard bent nozzles. Special bent nozzles available upon request.

Part Number	Description
TS416-HO-LD-B30/1	Bent 30° at 1" (25.4mm)
TS416-HO-LD-B30/2	Bent 30° at 2" (50.8mm)
TS416-HO-LD-B40/1	Bent 40° at 1" (25.4mm)
TS416-HO-LD-B80/1	Bent 80° at 1" (25.4mm)
TS418-HO-LD-B30/1	Bent 30° at 1" (25.4mm)
TS618-HO-LD-B30/2	Bent 30° at 2" (50.8mm)
TS618-HO-LD-B70/2	Bent 70° at 2" (50.8mm)

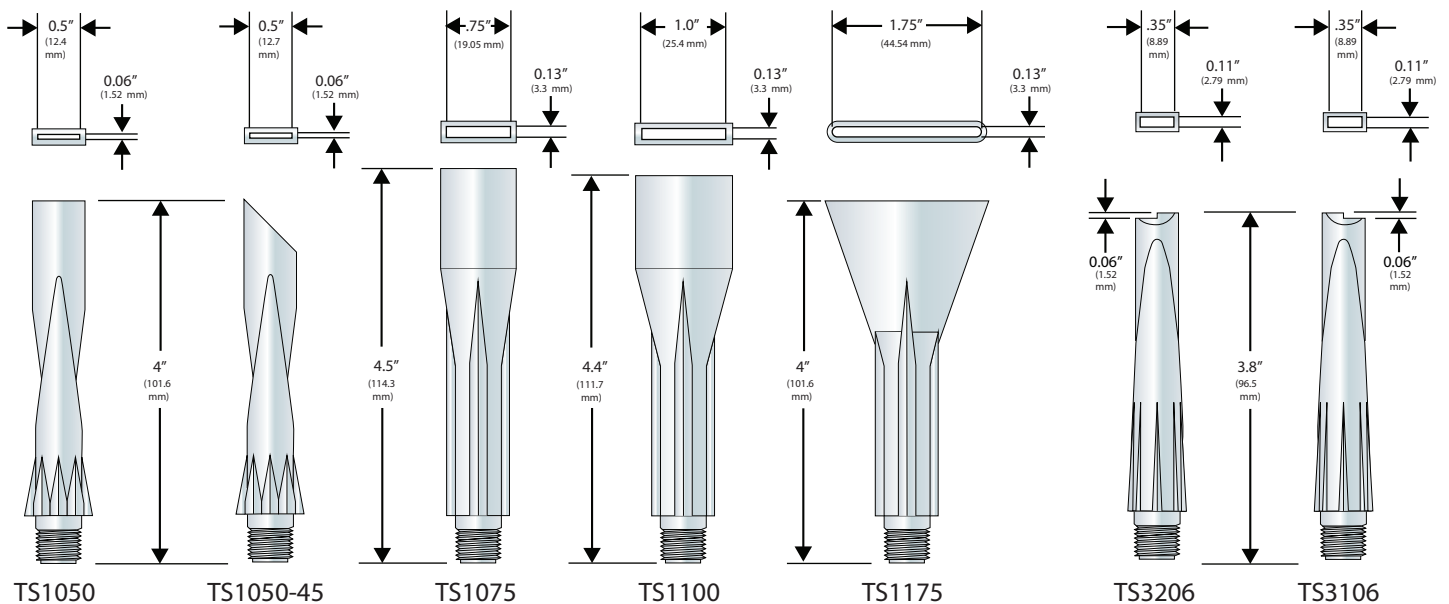
Standard Nozzles

Standard nozzles are precision molded from natural polyethylene and have 1/4" NPT male thread to fit all Techcon cartridges or equivalent. Color nozzles are available upon request. See page 2.

Part Number	Description
TS216-HD	2" (50.8mm) X 1/16" (1.6mm), HDPE
TS218-HD	2" (50.8mm) X 1/8" (1.4mm), HDPE
TS218-LD	2" (50.8mm) X 1/8" (1.4mm), LDPE
TS416-HO-HD	4" (101.6mm) X 1/16" (1.6mm), HDPE
TS416-HO-LD	4" (101.6mm) X 1/16" (1.6mm), LDPE
TS418-HO-LD	4" (101.6mm) X 1/8" (1.4mm), LDPE
TS432-HO-HD	4" (101.6mm) X 1/32" (0.8mm), HDPE
TS432-HO-LD	4" (101.6mm) X 1/32" (0.8mm), LDPE
TS490-HO-LD	4" (101.6mm) X 3/32" (2.4mm), LDPE
TS616-HO-LD	6" (152.4mm) X 1/16" (1.6mm), LDPE
TS618-HO-LD	6" (152.4mm) X 1/16" (1.4mm), LDPE

Specialty Nozzles

Specialty nozzles are precision molded from natural polyethylene and have 1/4" NPT male thread to fit all Techcon cartridges or equivalent.





Standard Nozzles

Standard nozzles are precision molded from natural polyethylene and have 1/4" NPT male threads to fit all Techcon cartridges or equivalent. Color nozzles are available upon request.

